

undefined

SKR Residential Steam Humidifier

This unique compact steam humidifier will improve health and comfort while protecting valuable objects and eliminating static electricity in the home.

Features of the SKR

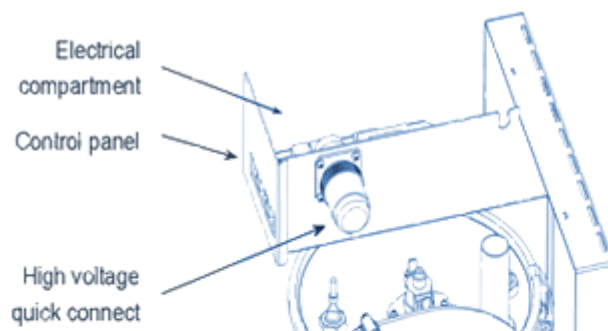
- **Capacities** from 4.5–12lb/hr (2-5.5kg/hr) of steam.
- On/off operation, modulation optional.
- Permanent cleanable stainless steel evaporation chamber.
- Self-cleaning elements.
- Siphon drain requires no drain valve or external tap.
- Simple control wiring using pre-assembled cables with telephone jacks.
- Easy to install, operate and maintain

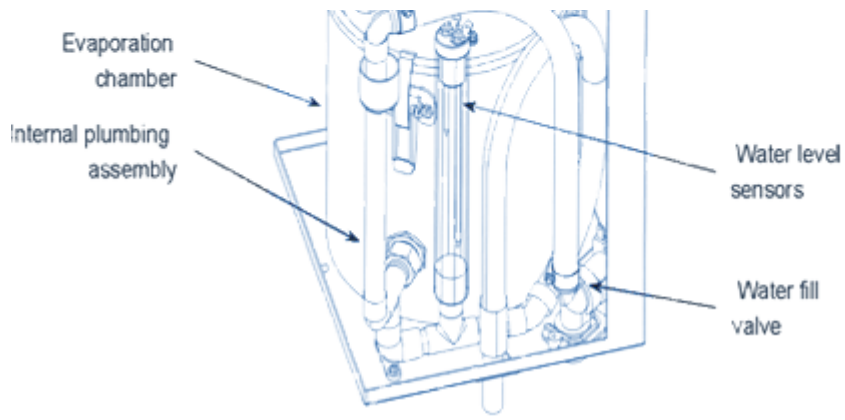
The SKR humidifier is easy to install and provides a simple and reliable operation with the user friendly control package. Steam is produced in a permanent stainless steel chamber which is easily removed and re-installed for rapid servicing. No plastic cylinders to replace, making it more economical to operate and environmentally friendly than the electrode humidifier.

- No expensive plastic cylinders to buy
- Environmentally friendly - no plastic cylinders to throw away
- No more blocked drain solenoid valves
- Drain water tempered to below 140°F (60°C)

Using the factory assembled telephone cables with jacks eliminates control wiring errors. Features and components found in our patented SK-300 Series "commercial humidifiers" have been incorporated in the Neptronic SKR to provide the most dependable humidifier system on the market.

The steam can be supplied into the duct with a dispersion tube or directly into the room with a fan distribution unit (SDU).





[For information on 50hz Humidifiers Please click here](#)